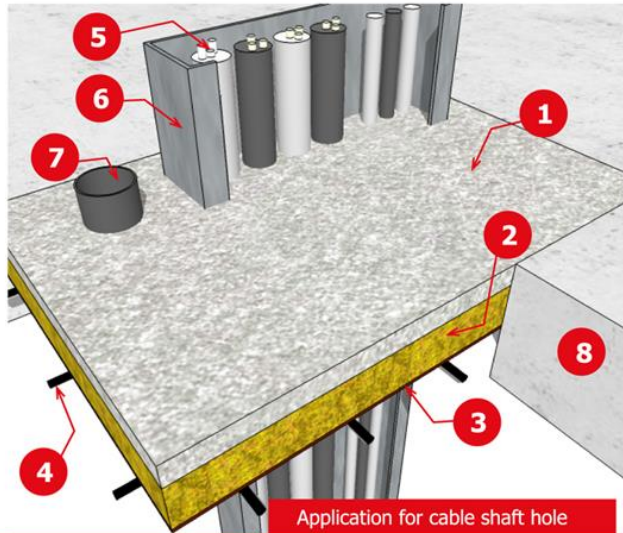
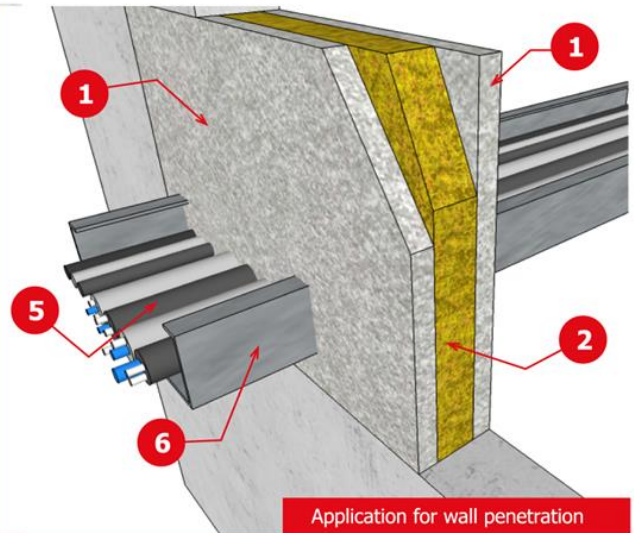




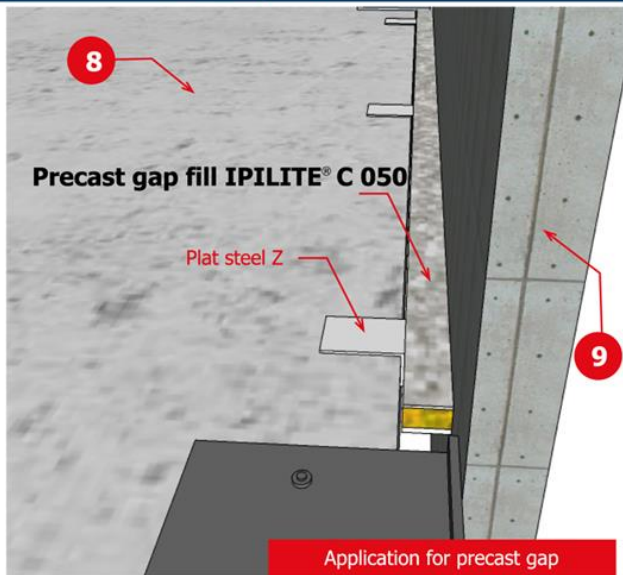
IPILITE® C 050



Application for cable shaft hole



Application for wall penetration



Application for precast gap

- 1 Firestop Vermiculite cement base ex. **IPILITE® C 050**, thickness : 25 mm
- 2 Mineral wool density min. 100kg/m³, thickness 50mm
- 3 Fibercement board, thickness min : 4 mm
- 4 Steel bar, Ø: 8 mm
- 5 Electrical cables
- 6 Steel cable tray
- 7 Metal pipe
- 8 Concrete floor slab
- 9 Precast concrete

GENERAL PRODUCT

IPILITE® C 050 product pre mixed with vermiculite cement in order to be applied quickly and easily. Just add some water and then applied it in the designated area by using the hand trowel.

IPILITE® C 050 is very suitable to be applied for the hole/gap on the floor or wall area, such as cable shaft area, plumbing shaft, hydrant shaft, precast gap, bus duct and pipe shaft.



PT. IPI SUNIJAYA

WISMA ABADI
Jl. Kyai Caringin Kav. 29-31, 2nd Floor Room B5
Jakarta 11060 - Indonesia
Phone : 62 21- 389 00 398
Fax : 62 21- 389 00 397
www.ipijaya.com





IPILITE® C 050

Product description

- Fire-resistant suitable for firestopping large opening.
- Asbestos free.

Product features

- Quick setting
- Can be used in vertical or horizontal applications
- Saves time
- Simple mixing

Areas of application

- Sealing medium size to large openings with non combustible pipes or cable trays.
- Permanent fire seal for cables, cable trays and non-combustible pipes.

For use with

- Concrete and masonry assemblies.
- Walls and floors rated up to 2 hours fire rating.

Examples

- Large openings contains multiple steel, conduit and EMT pipes.
- Large opening with single or multiple cable tray applications.

Product

- Packaging : 20 KG/Bag

www.ipijaya.com ©2016



CERTIFICATE TEST IPILITE® C 050



SPEKIFICATION IPILITE® C 050

- **Dry Density** : 550-600 kg/m³
- **Combustible Test** : Non Combustible
(**Accordance JIS A 1321**)
- **Thermal Conductivity**: 0.152 W / mK
- **Fire Rating** : --/120/120 (120 minute)
(**Accordance JIS A 1304, SNI 1741 - 2008**)
- **Spread Flame Test** : 14.39 cm (Class A)
(**Accordance ASTM D3806**)

TABLE OF COMPARISON

No	Description	Rockwool	Vermiculite Cement
1	Thermal Conductivity	Good	Good
2	Service Temp	Up to 650 °C	Up to 1000 °C
3	High Durability	Fine	Excellent
4	Sound Absorption	Good	Good
5	Smoke Generation	Yes	No
6	Water Absorption	High	Medium
7	Toxicity of Fumes after Burning	Toxic	Non Toxic
8	Compressive Strength	Low	High
9	Insulation	Good	Good
10	Fire Resistance	No	Yes